

### Features

- 4x input / output module
- Powered from DALI line
- Up to two rotary instances
- Compact form factor for easy integration
- Can be configured as IEC62386-301 or -302 inputs



#### Multi input

Up to 4x IEC62386-301 push-button instances



#### Standalone controller

Inbuilt to independently control DALI lighting



#### Sensor add-on

Smart sensor accessory with presence/lux detection



#### Compatible

Can be used with DALI-2 and D4i compliant control gear



## Product range

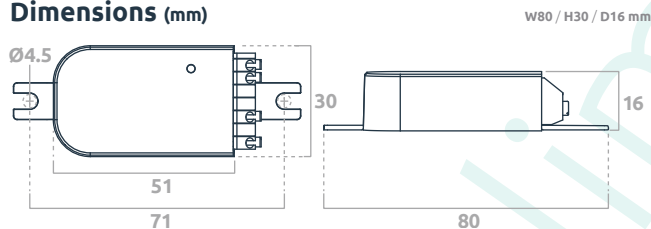
Order code	Description
<b>zc-switch-pro</b>	Pro switch module
<b>zc-switch-pro-oem</b>	Pro switch module for OEM*

### Features

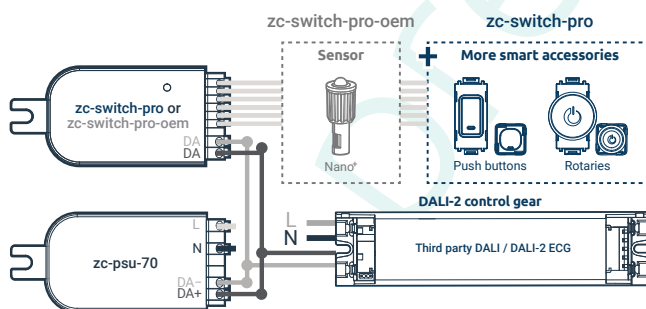
- 4x input / output module
- Powered from DALI line
- Smart sensor attachment
- Up to two rotary instances
- Works with DALI-2 devices and gear
- Works with D4i compliant control gear
- Compact form factor for easy integration
- Can be configured as IEC62386-301 or -302 inputs
- Inbuilt standalone controller to independently control DALI lighting

\*OEM model supports zc-pir-nano+ sensor only, this incl. PIR/lux/IR

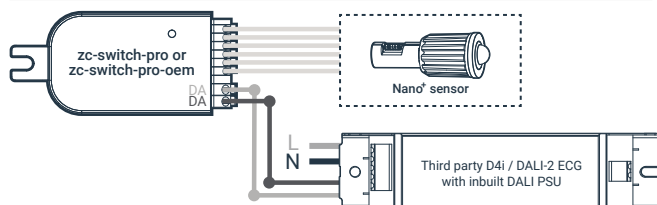
## Dimensions (mm)



## Wiring: sensor / switch / smart accessory



## Wiring: D4i luminaire



## Specifications

<b>Supply voltage</b>	9.5 - 22.5 V (DALI line)	
<b>Control system</b>	DALI	
<b>DALI line current</b>	10 mA	
<b>Input</b>	4 floating contacts	
<b>Output</b>	3.3 V logic level output	
<b>Wiring</b>	0.2 - 1.5 mm <sup>2</sup> (DALI) 0.2 - 0.5 mm <sup>2</sup> (accessories) Strip 8 - 9 mm	
<b>Operating temperature</b>	0 to 60°C	
<b>Material</b>	PC	
<b>Classification</b>	Class II	
<b>Mounting</b>	Inbuilt	
<b>Ingress protection</b>	IP20	
<b>Compliance standards</b>	IEC 61347-2-11 CISPR 15 EN 55015 IEC 62386-103	IEC 62386-301 IEC 62386-302 IEC 62386-303 IEC 62386-304

## Accessories range

Order code	Description
<b>zc-fm-kit</b>	Field mount kit
<b>zc-pir-nano+</b>	PIR Nano <sup>+</sup> sensor, accessory kit
<b>zc-rotary-kit</b>	Rotary 20 x 20 mm, accessory kit
<b>zc-rotary-b-kit</b>	Black rotary 20 x 20 mm, accessory kit
<b>zc-rotary-2550-kit</b>	Rotary 25 x 50 mm, accessory kit
<b>zc-rotary-2550-b-kit</b>	Black rotary 25 x 50 mm, accessory kit
<b>zc-pbs-2550-wh-kit</b>	Illuminated pushbutton switch 25 x 50 mm, white, accessory kit
<b>zc-pbs-2550-st-kit</b>	Illuminated pushbutton switch 25 x 50 mm, stainless brushed, accessory kit
<b>zc-pbs-2550-b-kit</b>	Illuminated pushbutton switch 25 x 50 mm, stainless brushed, accessory kit
<b>zc-pbs-2020-kit</b>	Illuminated pushbutton switch 20 x 20 mm, accessory kit
<b>zc-pbs-2020-b-kit</b>	Illuminated pushbutton switch black 20 x 20 mm, accessory kit