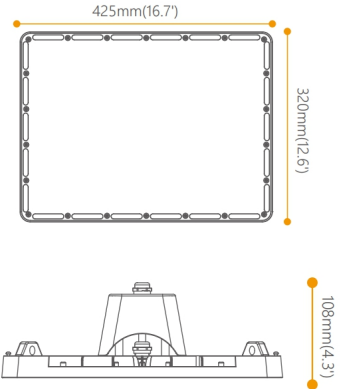


LED Square Highbay, IP65



Find me on the Web



Lighting Data

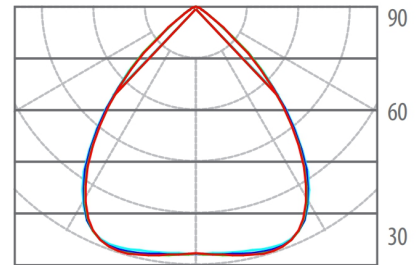
LED Chip	Lumileds
Lumens	14000lm / 28000lm
Color Rendering Index	>80
Correlated Color Temp.	4000K
Beam Angle	75°

Electrical Data

Power	100W / 200W
Voltage	220-240VAC
Frequency	50/60Hz
Power Factor	>0.9

Mechanical Data

Housing	Diecast Aluminium
Diffuser	PC lens
IP Rating	IP65
Finish	White



Driver

On-Off / 0-10V / Dali / D4I

Emergency Kit

Available

Sensors

PIR /Microwave

Article ID	Power	Lumens	Correlated Color Temp.	Dimension	IP Rating
Edge 100	200W	14000lm	4000K	425mm(A)x320mm(B)	IP65
Edge 200	200W	28000lm	4000K	425mm(A)x320mm(B)	IP65

Selected products only, for other non listed products please get in touch with us