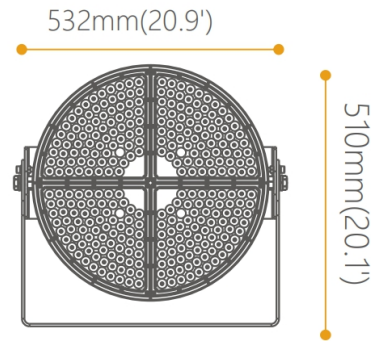


LED Flood Light, IP66



Find me on the Web



Lighting Data

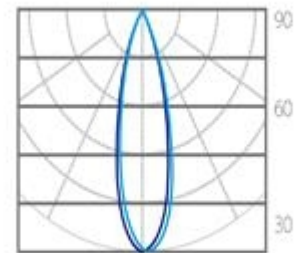
LED Chip	Lumileds
Lumens	58,500lm / 78,000lm / 112,000lm
Color Rendering Index	>80
Correlated Color Temp.	4000K / 6000K
Beam Angle	15° / 30°

Electrical Data

Power	450W / 600W / 800W / 1000W
Voltage	220-240VAC
Frequency	50/60Hz
Power Factor	>0.9

Mechanical Data

Housing	Diecast Aluminium
Diffuser	Tempered Glass
IP Rating	IP66
Finish	Black



Driver Options

On-Off / 0-10V / Dali / D4i

Emergency Kit

Not Applicable

Sensors

PIR / Microwave

Article ID	Power	Lumens	Correlated Color Temp.	Dimension	IP Rating
Alpha 450	450W	58500lm	6000K	532mm(A)x 510mm(B)	IP66
Alpha 600	600W	78000lm	6000K	532mm(A)x 510mm(B)	IP66
Alpha 800	800W	112000lm	6000K	532mm(A)x 510mm(B)	IP66
Alpha 1000	1000W	130000lm	6000K	532mm(A)x 510mm(B)	IP66

Selected products only, for other non listed products please get in touch with us