

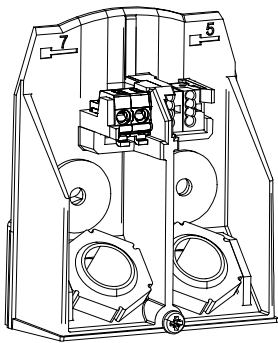


## Description

The esave Meteodata100 measures temperature, brightness and wind speed. On top of that, the Meteodata100 ships with a rain sensor. The esave Meteodata100 is all you need to record and visualize weather data. Thanks to the integrated SLC-Core, it is straightforward to configure and operate.

## Wall mounting

1. Secure the wall bracket to the wall
2. Feed the cables through the rubber seals
3. Push down the weather station until it clicks

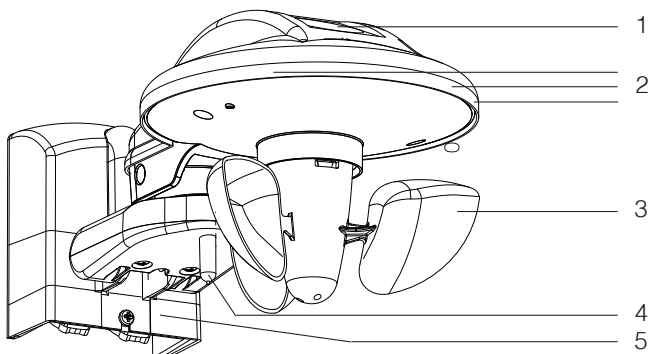


## Features

- Live data of wind speed, temperature, ambient brightness and rain detection
- Detailed visual statistics if monitored through SL-Control webplatform
- Wall and pole mounting
- Minimal configuration needed

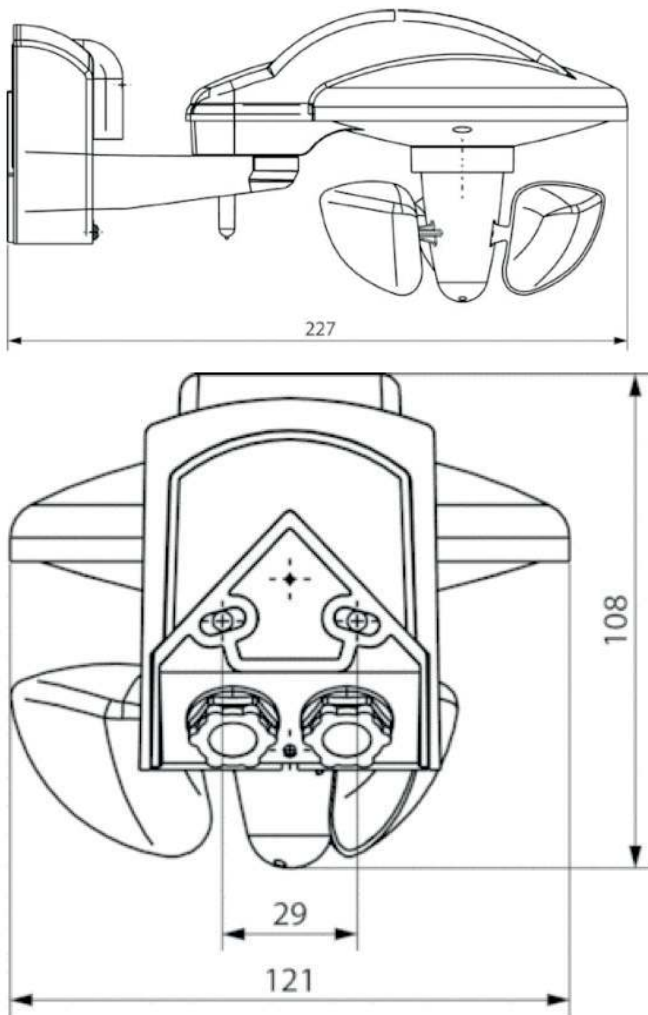
## Corner or Pole mounting

- For mast or corner installation of max. 2 weather stations Meteodata100
- To use with wall mounting kit
- Diameter 48 - 60 mm



1. Rain sensor with heating
2. Three Brightness sensors (left, right, front)
3. Wind turbine
4. Temperature sensor
5. Wall brackets

## Scale drawings



## Maximum ratings

Parameter	Sym	Min	Max	Unit
Supply Voltage	$V_{in}$	94	253	V AC
Operating Temp.	$T_A$	-20	+55	°C

## Operating characteristics

Parameter	Sym	Min	Typ	Max	Unit
Supply Voltage	$V_{in}$	110		230	V AC
Frequency	$f$	50		60	Hz
Power consumption	$P$		0.7	5.5	W

## Additional characteristics

Protection class	Class II - with proper installation
Protection type	IP 44 to EN 60529
Cable	Max. cable-cross section: 1.5mm <sup>2</sup> ; NYM 2 x 1.5mm <sup>2</sup>
Wind sensor	2 - 30 m/s
Brightness sensor	1 - 100000 Lux
Temperature sensor	-30 to +60 °C

## Wireless characteristics

Parameter	Sym	Min	Typ	Max	Unit
RF frequency range (center frequency)	$f_w$	2.420		2.480	GHz
RF nominal output power			4.5	8	dBm
Receiver sensitivity			-97	-92	dBm