

5" FULL FLUSH INSET LED-LIGHT for Heliports

The 2IL5_FF 5" Series inset LED-Lights is designated as visual aids for Heliports or Helidecks on Land and Offshore where no propulsion is needed due to operational requirements



GENERAL DESCRIPTION AND VARIANTS

2IL5-TLOF-FF-24a_0_g (green):

- Touch Down and Lift Off Areas TLOF

2IL5-ADI-FF-24a_0_w (white):

- For the use as Flight Path Alignment Guidance Lights & Aim Point

REFERRED STANDARDS

ICAO Annex 14 Vol 2. Heliports

ICAO Annex 14 Vol 1. Aerodrome Design and Operation

ICAO DOC 9261 Heliport Manual

ICAO DOC 9157 Aerodrome Design Manual Part 4 (Visual Aids)

FAA Engineering Brief 67D Light Sources others than Incandescent and Xenon

IEC TS 61827 Electrical installations for lighting and beaconing of aerodromes

IEC TR 60825-9 Safety of laser products

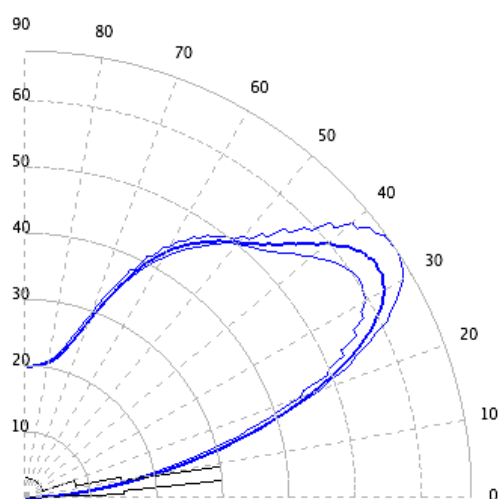
ICNIRP Guidelines on limits of exposure to incoherent visible and infrared radiation

FEATURES

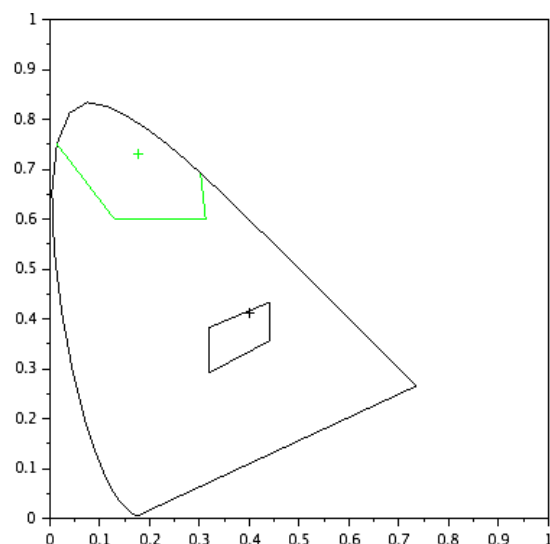
- Optimized light output due to patented optics concept
- CE Certified
- Compact and zero propulsion for maximum resistance
- Optimized for integration in elevated Helipads
- Maximum resistance against liquid and dust intrusion and mechanical shocks due to fully sealed optics and electronics
- Safety Extra Low Voltage compliant
- Corrosion resistant anodized Aluminum-housing
- NVG Option available

Technical Data	Value
Operating voltage:	24V DC
Operating range:	18V to 30V
Power consumption	Idle: 0.7 W TLOF: 6.5 W (100%) Approach Direction Indicator: 7.5 W (100%) IR option: 0.3 W (100%)
Dimming:	0 to 100% dimmable for Visible via auxiliary line If NVG Option selected: IR continuous on with BATTCon: IR switchable
Operating temp.	-40°C to +55°C
Storage temp.	-40°C to +85°C
Protection class	IP68
Wiring	1 = +24V, 2 = GND, 3 = Dimming
Cable	PUR 3 x 0.5 mm ² , length ~ 40 cm with ferules
Infrared (optional)	240mW @ 850 nm Order code: 2IL5_XXX_FF_24a_0_y_NVG
Useful Lifetime	> 100'000h

Light Distribution and Color Coordinates

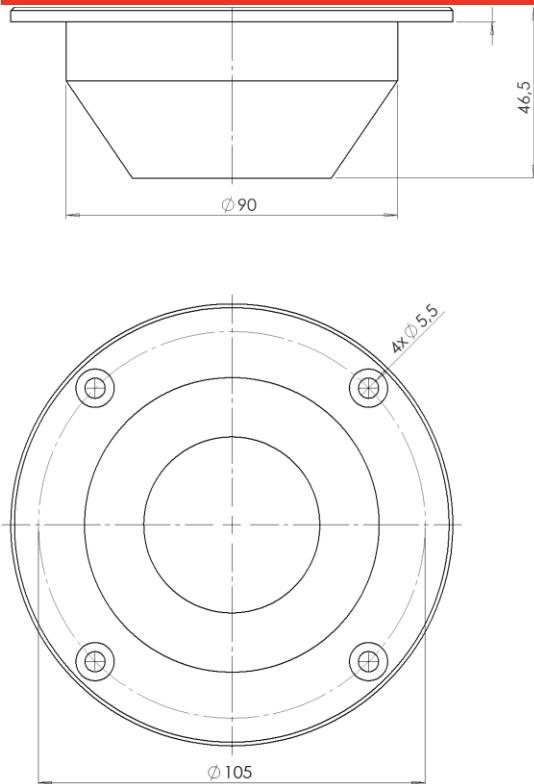


Isocandela typ.(green/white)



ICAO white & ICAO green

Dimensions



The 2IL5 Light is fixed with 4x M5 Screws with locking

Auxiliaries

Adaptor Plate for mounting in 8" Shallow Bases according to IEC TS 61827 / FAA AC 5439/150-46D

Shallow Base 180mm \varnothing X 120mm

BATTCon Helipad Control System

We reserve the right to change technical data and details at any point in time. Errors may occur
Rev 1.3 Jan 2017