

DATASHEET 2EL-TARMAC-EL-24S-1-W

Elevated LED Floodlight for Heliports

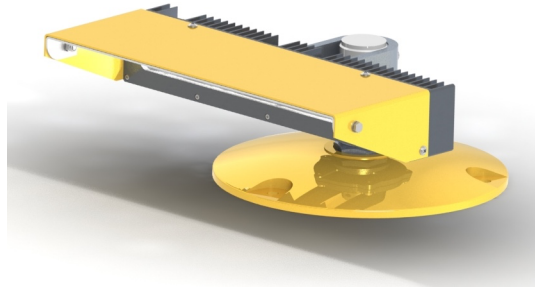


Figure 1: 2EL-TARMAC-EL-24S-1-W

The 2EL-TARMAC-EL-24S-1-W LED-Floodlight is dedicated to illuminate the surface of the takeoff and landing zone of heliports, helidecks as well as Public Interest Sites. Further the 2EL-TARMAC-EL-24S-1-W suits for the illumination of winching areas and for highlighting elevated structures effecting the operations on a heliport. It complies fully with the requirements of ICAO Annex 14. Vol. 2, BMVI AVV I36/06 and FOCA Guideline AD I-012D

FEATURES

- High efficiency due to a dedicated optics concept for the use on heliports
- Easy to adjust in height, elevation and azimuth + adjustable shutter against glare
- Including 60mm pedestal with frangible coupling and 2" 11.5 NPS male thread
- Increased service life time due to advanced thermal design
- Optimized sealing concept against the intrusion of liquids and dust (IP 67)
- Enhanced protection against corrosion due to anodization and powder coating
- Safety Extra Low Voltage compliant
- Enhanced surge current protection
- Compliant to ICAO, EASA, German and Swiss standards
- CE Certified

REFERRED STANDARDS

- ICAO Annex 14 Vol 2. Heliports, 4. Edition
- BMVI AVV I36/06
- FOCA AD I-012D
- ICAO Annex 14 Vol 1. Aerodrome Design and Operation
- ICAO DOC 9261 Heliport Manual
- ICAO DOC 9157 Aerodrome Design Manual Part 6 (Frangibility)
- FAA AC 150/5390-2C Heliport Design
- FAA Engineering Brief 67D Light Sources others than Incandescent and Xenon
- CAA CAP 437 Standards for Offshore Helicopter Landing Areas
- IEC TS 61827

TECHNICAL DATA

	Value
Operating Voltage	24V DC
Voltage Range	20 - 28V
Power Consumption	40 W
Surge Protection	8/20µs 5kA 10 times

		Value
		10kA 1 time
1.2/50µs		10kV 10 times
Wiring	1	+24V
	2	GND
Cable		PUR 2x0.75 mm
	Length	40 cm with ferules
Material	Al...	
Surface Color (Housing)	Aviation Yellow	
Operating temp.		-40°C to +55°C
Solar radiation		1 kW/m ²
Storage temp.		-40°C to +85°C
Protection class		IP67
Height	< 250 mm	until 500 mm (optional)
Adaptor		2" 11.5 NPS male threat
Break Momentum		
Useful Lifetime		> 100'000h
Weight		5.1 kg
Package (2 Units)	Dimensions	430 X 430 X 430 mm
	Weight	11.8 kg

LIGHT DISTRIBUTION

Public Interest Site FATO 22 X 22 mm

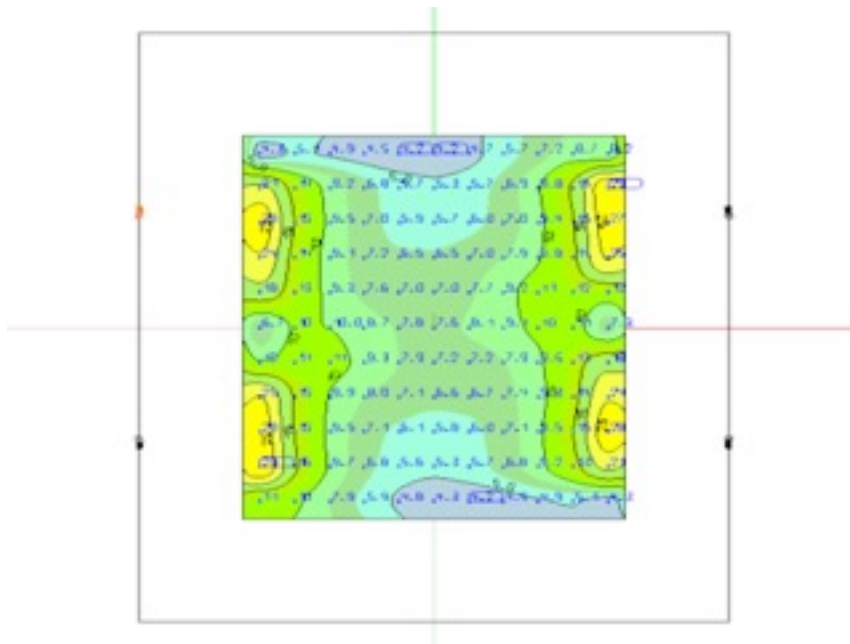


Figure 2:

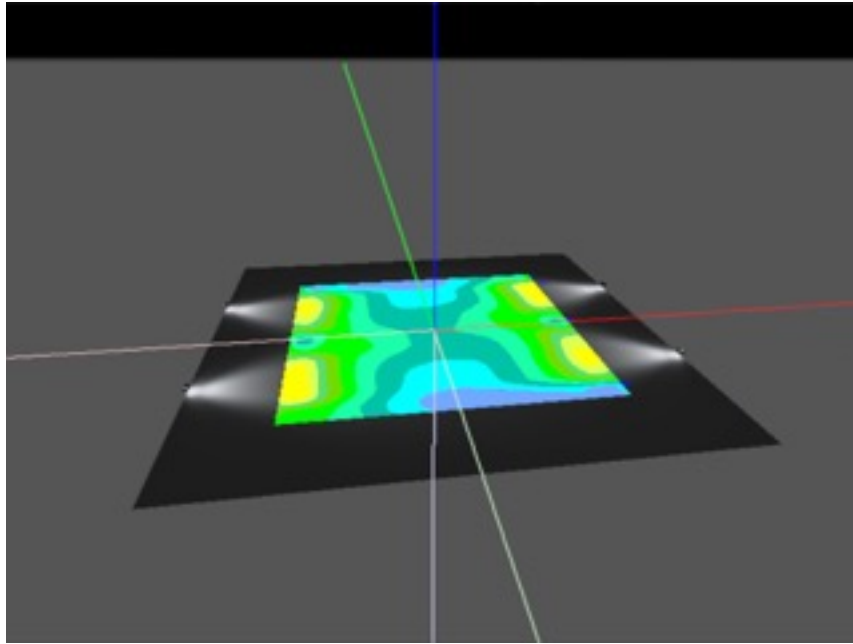


Figure 3: Light Distribution PIS

DIMENSIONS

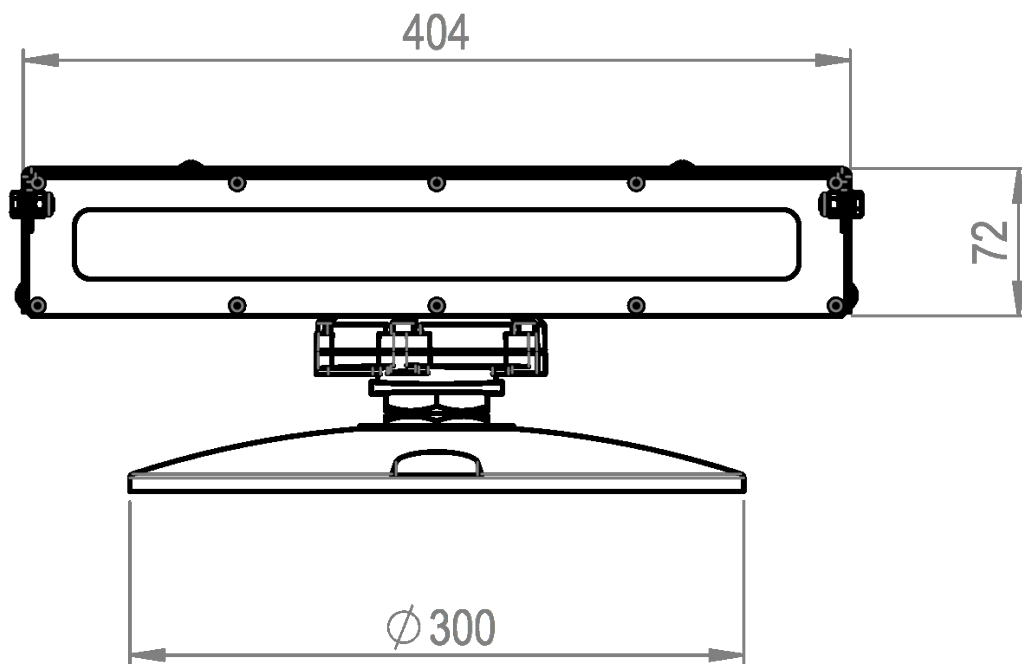


Figure 4: Fluter Front

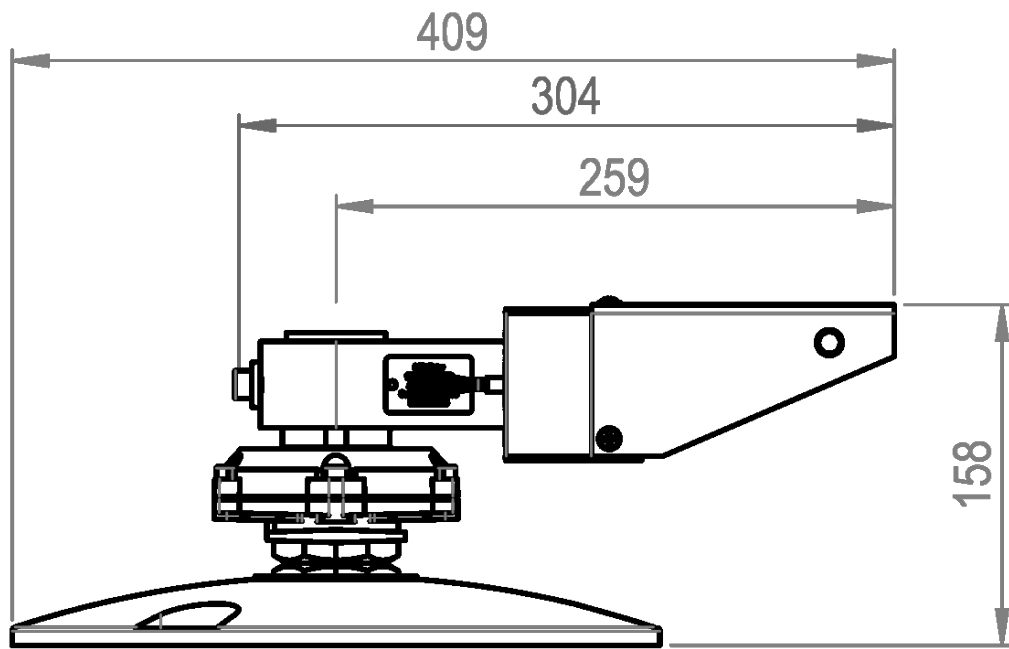


Figure 5: Flutter Side

Auxiliaries

- 5" to 2" 11.5 NPS thread adaptor for installation on 2IL5 Shallow Base
- 2EL8-BP 8" Base Plate with 2" 11.5 NPS thread

BATT GmbH
 Heeper Strasse 184
 33607 Bielefeld
 Germany

Tel: +49 521 96797 49
 Fax: +49 521 96797 48

<http://www.batt-gmbh.com>
info@batt-gmbh.com

BATT GmbH reserves the right to change technical data and details at any point in time. Errors may occur. All rights reserved. Publication, copying, distribution, exhibition, representation and/or reproduction in any form or utilization are explicitly prohibited without prior approval by BATT GmbH

Rev 2.0 Dec 2017