

DATASHEET 2EL-Obstruction Lights Series

2EL-OBSA-24 LED OBSTRUCTION LIGHT-LOW INTENSITY TYPE A

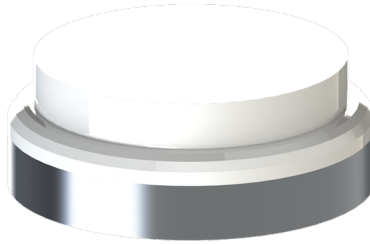


Figure 1: 2EL-OBSA-EL-24 Obstacle Light

The 2EL Obstruction lights are compact low intensity LED lights, designated to denote aviation obstacles on elevated structures, compliant with ICAO Annex 14 Vol 1., EASA CS-ADR-DSN and BMVI AVV Hindernisbefuerung

FEATURES

- Very compact and esthetic design
- Optimized light output due to patented optics concept
- Multiple options:
 - IR Signature for NVG compliance
 - Auto activation in twilight and darkness
 - Failure Monitoring or Activation indicator
- Maximum resistance against intrusion of liquid, dust and mechanical shocks due to fully sealed optics and electronics
- 100'000h service lifetime due to optimized electronics and thermal management
- Compliant to ICAO, EASA, German and Swiss standards
- CE Certified
- Safety Extra Low Voltage compliant
- Corrosion resistant anodized Aluminum-housing
- Flexible mounting concept

OPTIONS

Infrared Signature

Additional NIR emission, designated to comply with Infrared Night Vision Goggles eg. HEMS or tactical operations

Auto Activation

Self activation if surrounding brightness level falls below a dedicated level

Monitoring

1. Failure Monitoring, indicates a failure in the 2EL-OBS fixture
2. Status Indicator, in combination with the Auto Switch function the 2EL-OBS light indicates if the light is activated

BATT GmbH

Heeper Strasse 184, 33607 Bielefeld, Germany

<http://www.batt-gmbh.com> info@batt-gmbh.com

VARIANTS

2EL-OBSA-EL-	IR-NVG	Monitoring	Auto Switch
-24S-0-R			
-24S-0-R-NVG	X		
-24S-0-R-M		Failure Indicator	
-24B-0-R			X
-24B-0-R-M		Activation Monitor	X
-24S-0-R-M-NVG	X	Failure Indicator	
-24B-0-R-NVG	X		X
-24B-0-R-M-NVG	X	Activation Monitor	X

REFERRED STANDARDS

- ICAO Annex 14 Vol 1. Aerodrome Design and Operation
- EASA CS-ADR-DSN
- BMVI AVV Kennzeichnung von Luftfahrthindernissen - Anlage 1
- Österreichische Zivilflugplatz-Verordnung (ZFV)
- FAA Engineering Brief 67D
- IEC TS 61827
- IEC 62305
- IEC 60079
- IEC TR 60825-9
- ICNIRP Guidelines on limits of exposure to incoherent visible and infrared radiation

TECHNICAL DATA

Function		Value
Operating voltage		24V DC \pm 6V
Power consumption	Idle (self activating)	0.5 W
	Type A	3.5 W
	IR option	1.0 W
Storage temp.		-40°C to +85°C
Operating temp.		-40°C to +55°C
Solar radiation		1kW/m ²
Protection class		IP68
Surge Protection	8/20 μ s	5kA 10 times
		10kA 1 time
	1.2/50 μ s	10kV 10 times
Weight		0.25 kg
Wiring	1	+24V
	2	GND
	(3)	(Monitor)
Cable		PUR 2(3)x0.75 mm
	Length	40 cm with ferules
Light Color		ICAO red (625nm \pm 5nm)
Infrared (Option)		240mW @ 850 nm 100mW/sr
Monitoring (Option)	Output	24V
Useful Lifetime		> 100'000h

LIGHT DISTRIBUTION

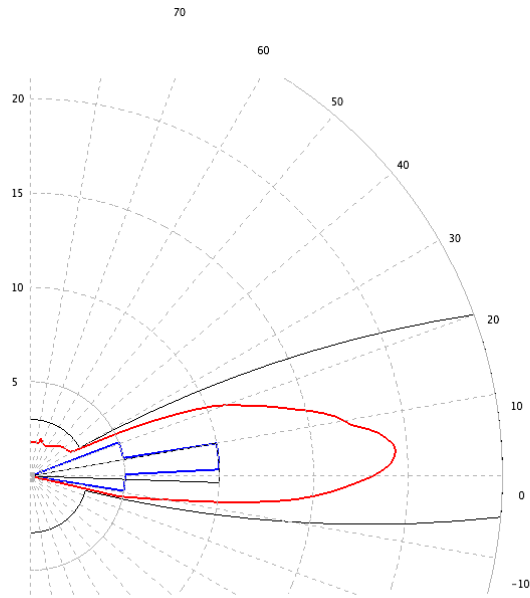


Figure 2: Light Distribution (ICAO and AVV Hindernisfeuer ES)

DIMENSIONS AND MOUNTING

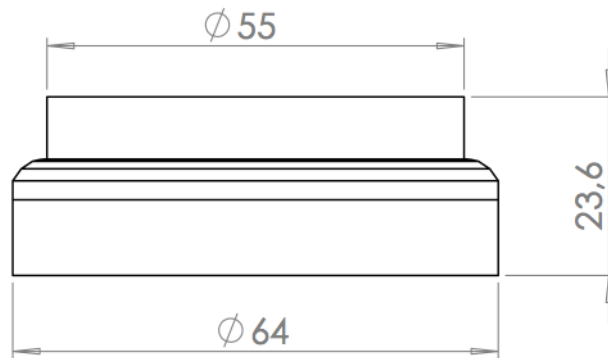


Figure 3: Dimensions - Side View

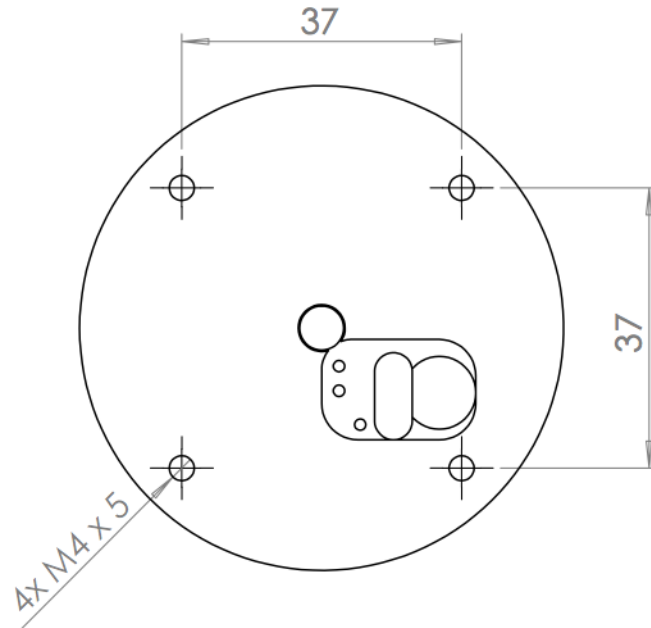


Figure 4: Bottom view and Mounting

AUXILIARIES

- 20 mm Pipe Mounting Adaptor
- 120 mm Base Plate
- 90° Wall Bracket
- 230VAC external power supply
- Assembly for dual obstacle light -auto switching (optional 24 VDC or 240 VAC) with 24VDC monitoring output

We reserve the right to change technical data and details at any point in time. Errors may occur

Rev 1.0 July 2017